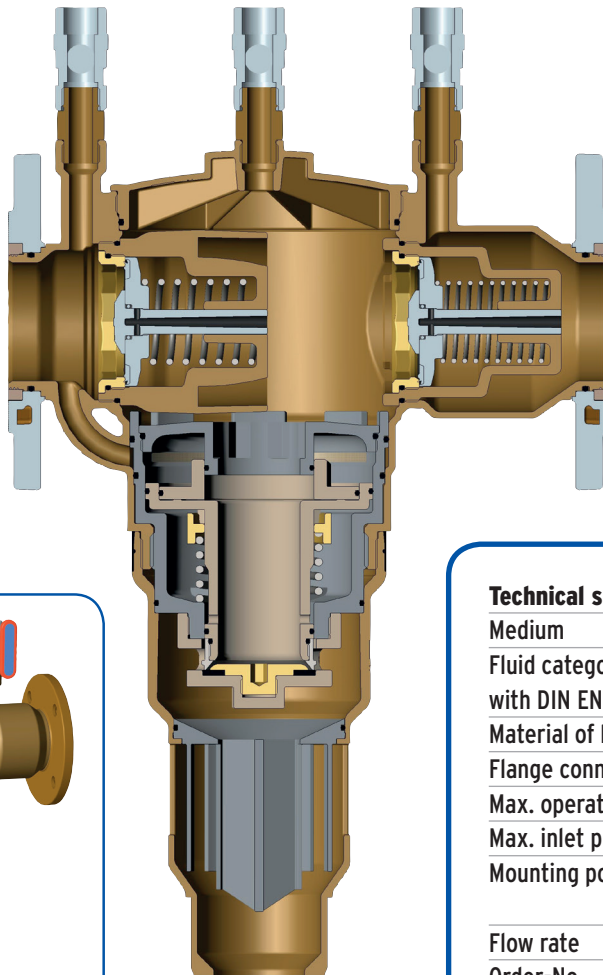


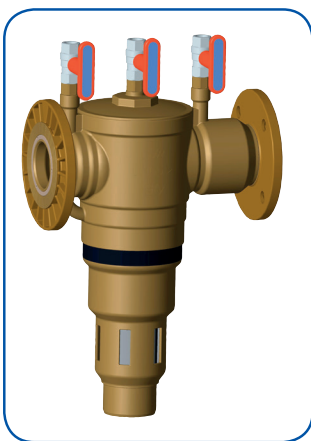
# SYR's flange-type BA backflow preventer ensures drinking water protection in large installations.

Large installations, greatest possible protection: SYR's flange-type BA backflow preventer prevents the backflow of non-potable water or other liquids into the public drinking water supply. The flange-type BA backflow preventer thus guarantees the drinking water quality up to fluid category 4 - in accordance with DIN EN 1717.

As usual for SYR, this type BA backflow preventer also features its easy-to-service cartridge technology. The control unit inside the device is protected against contamination via the integrated prefilter, thus guaranteeing a long and safe operation of it.



- In accordance with DIN EN 12729 for backflow preventers
- 3-zone-system with controllable upstream, intermediate and downstream pressure zones
- Integrated prefilter for control unit
- Easy-to-service cartridge system
- DN 65



### Technical specifications

Medium	potable water
Fluid category in accordance with DIN EN 1717	category 4
Material of body	gunmetal
Flange connection	DN 65
Max. operating temperature	65 °C
Max. inlet pressure	10 bar
Mounting position	Main axis, vertical tundish pointing downwards
Flow rate	47.8 m <sup>3</sup> /h at Δp 1.5 bar
Order-No.	6600.65.000



**Innovative solutions for smart people**