

BA Backflow Preventer STBA 400

Type BA - Drain valve with hose connection



7

Field of application

The backflow preventer type BA STBA 400 from SYR is a compact safety device in accordance with EN 1717, group B, with controllable disconnection (three zones system). It complies with the installation type BA as defined in EN 1717 and can be used as a protective device up to and including fluid category 4. It is designed to prevent back-siphonage, backpressure or backflow of non-potable water into the public drinking water system. The backflow

preventer type BA STBA 400, which is designed as a drain valve with a hose connection covers a wide range of applications (e.g. chemical cleaning systems, sprinklers, high-pressure cleaners, constructions and agriculture, potable water supply for non-stationary systems, non potable and fire water supply). It can also be used to fill heating installations.

Design

The backflow preventer BA STBA 400 from SYR, which includes all components set by EN 1717 is designed as three zones system with a controllable upstream, intermediate and downstream pressure zone. It also includes a strainer. Each pressure zone can be equipped with test valves (accessories 6625.15.902) to verify the safety devices by pressure measurement. The backflow preventer is equipped with two consecutive check valves with

an intermediate pressure zone in between, which can be vented to the atmosphere. When no water is drawn off, the check valves on either side and the drain valve are closed. In case of back-siphonage, the inlet pressure drops. The drain valve opens at the latest, when the differential pressure between the upstream and intermediate zone decreases to 0.14 bar.

Materials

The body is made of a high-quality low-lead brass alloy and heat-resistant synthetic material. The internal parts are made of high-quality corrosion resistant synthetic materials or stainless steel. All

synthetic parts getting in contact with drinking water are approved by the German Public Health Office (KTW). The valve's tundish is made of high-quality synthetic material.

Installation

Permanent access to the valve has to be provided. Do not mount in rooms subject to flooding, frost or high temperatures. Install only in a well-ventilated environment. The connected discharge device must be able to collect the discharged volume. Mount the BA backflow preventer in vertical position with the

tundish connection facing downwards. Free access to the pressure test devices shall be provided to facilitate the inspection of the backflow preventer. It is recommended to install a drinking water filter upstream to ensure perfect function.

Thoroughly flush the pipe prior to installation. Install the backflow preventer type BA in vertical

position under consideration of the direction of flow and without applying stresses.

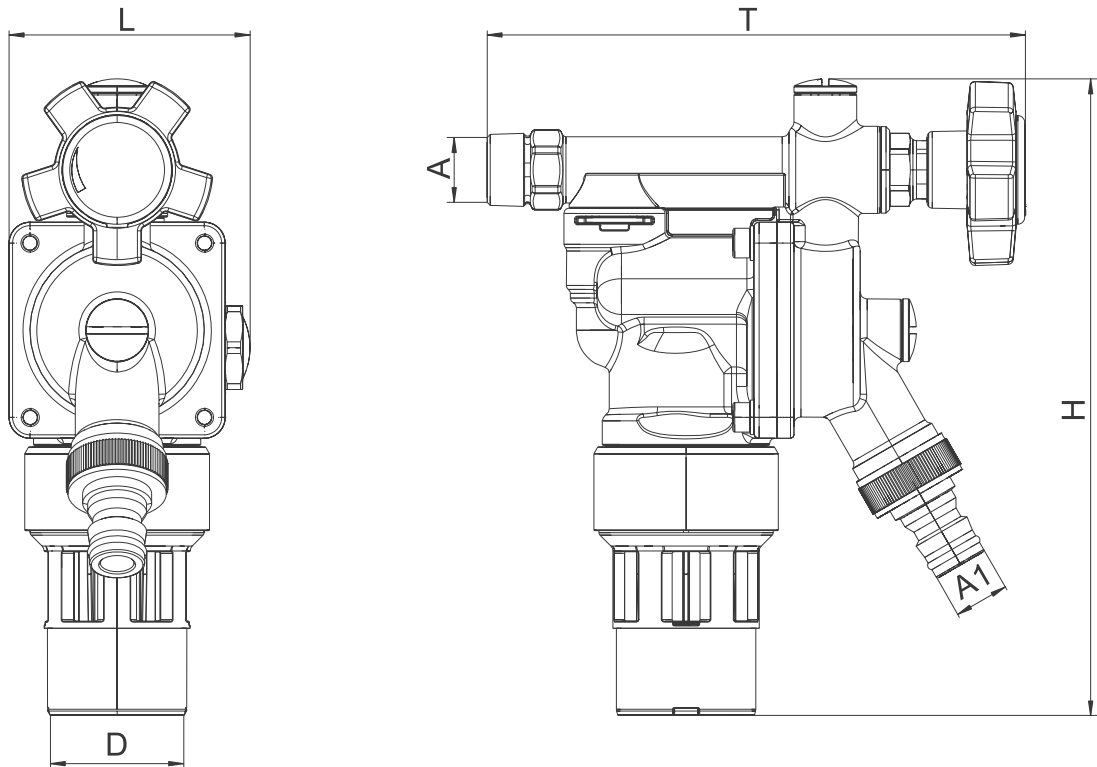
Technical specifications

Service pressure:	max. 10 bar
Service temperature:	max. 30°C (inlet), max 65°C (outlet)
Ambient temperature:	5°C - 40°C
Mounting position:	vertical with tundish facing downwards
Fluid:	potable water
Flow rate:	1.27 m ³ /h at 1.5 bar Δp
Serial number:	6625.15.004

Maintenance

According to EN 806, part 5, the BA backflow preventer has to be serviced on a regular basis. Therefore, maintenance agreements between user and installer are very useful. The correct function has to be verified after the first service year and then periodically in accordance with the operating conditions, but after one year at the latest. The

ball valves in each pressure zone allow to check the correct operation of the valve by means of corresponding measuring devices. The backflow preventer is designed with a cartridge system, which makes maintenance works simple and unproblematic.



7

Nominal size		DN 15
	A	R 1/2"
	A1	R 3/4"
Dimensions	L (mm)	69
	H (mm)	182,5
	T (mm)	154,5
	D (mm)	40

Accessories

Service kit:

Differential pressure measurement device
for inspection and maintenance
6600.00.000



BA Backflow Preventer STBA 400

Components / Order numbers

①

Body

②

Backflow preventer cartridge

6625.15.900

③

Four hexagon socket screws

④

Three test valves for maintenance

6625.15.902

