

Connecting Center All-in-one 3228



6

Field of application

The SYR Connecting-Center 3228 All-in-one is a connecting module used for filling the heating installation with soft and demineralized water and with water for pH-stabilization. Relevant for the

method is the refillable water softener or demineralization cartridge.

Design

The cartridges are refillable and available for 2,5, 4, 7, 14 and 30 Litres. The integrated BA-Filling-Combi automatically fills and refills central heating installations. The Connecting-Center All-in-one is equipped with an inlet and outlet ball valve,

integrated blending valve which can be changed from water softening to demineralization, digital capacity-control with remaining capacity display, a wall bracket, pressure gauge and and pressure reducing valve.

3228 Connecting Centre All-in-one

Materials

Body, internal parts and isolating valve are made of high-quality, low-lead brass alloy or stainless steel. Seals are made of elastomeric synthetic ma-

terial (hot-water and ageing-resistant). The springs are made of corrosion-resistant spring steel wire.

Installation

Install the Connecting Center before the heating installation. Do not install the device in rooms liable to humidity or frost. Fit the center to the wall

bracket. Mount the cartridges from below to the Connecting Center. The 14 litre-cartridges contain a pedestal (included in delivery).

Install the connecting centre horizontally in the pipe under consideration of the direction of flow

and without applying stresses.

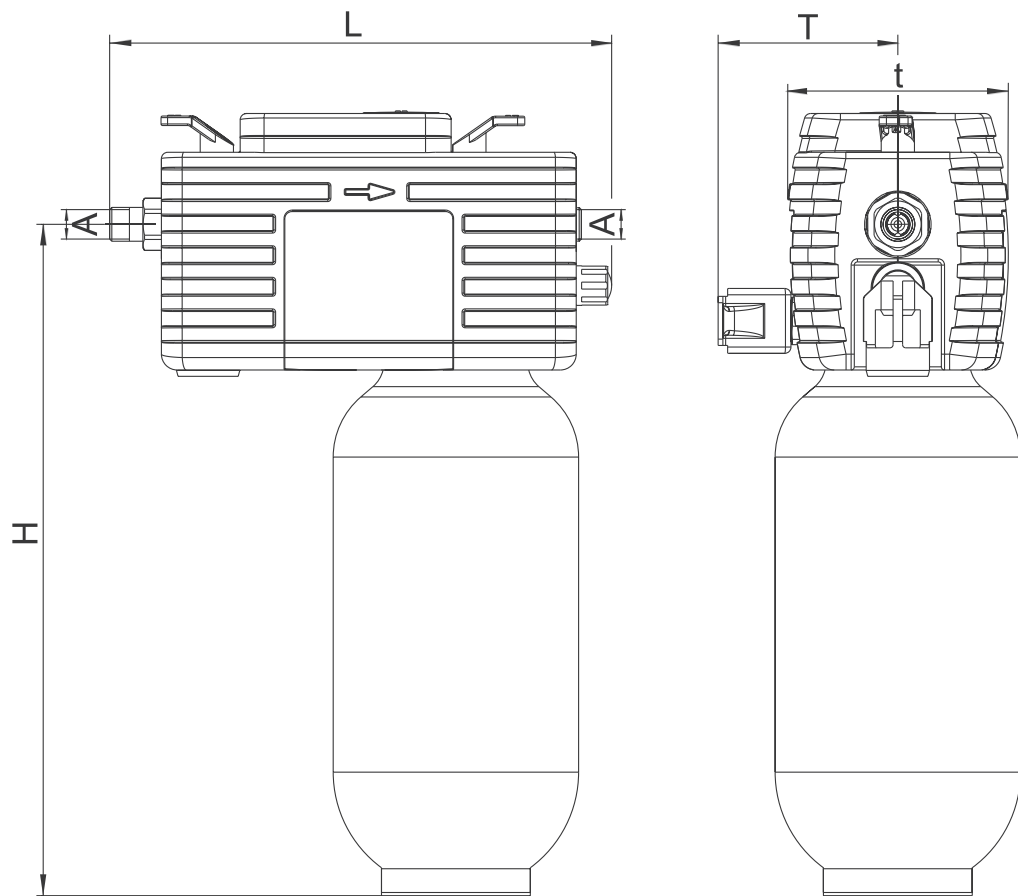
Technical data

Operating pressure:	max. 10 bar
Operating temperature:	max. 30 °C (inlet); max 65 °C (outlet)
Outlet pressure:	1 - 5 bar (factory set to 1,5 bar)
Mounting position:	main axis horizontal
Medium:	potable water
Flow rate capacity:	0,3 m ³ /h (with 2,5l-cartridge) 0,5 m ³ /h (with 4-14l-cartridge)
Serial number:	3228.15.010

Maintenance

The connecting centre automatically reports an exhausted cartridge. Just refill the cartridge with

the refill resin. Pay attention to order the appropriate resin and size of the cartridge.

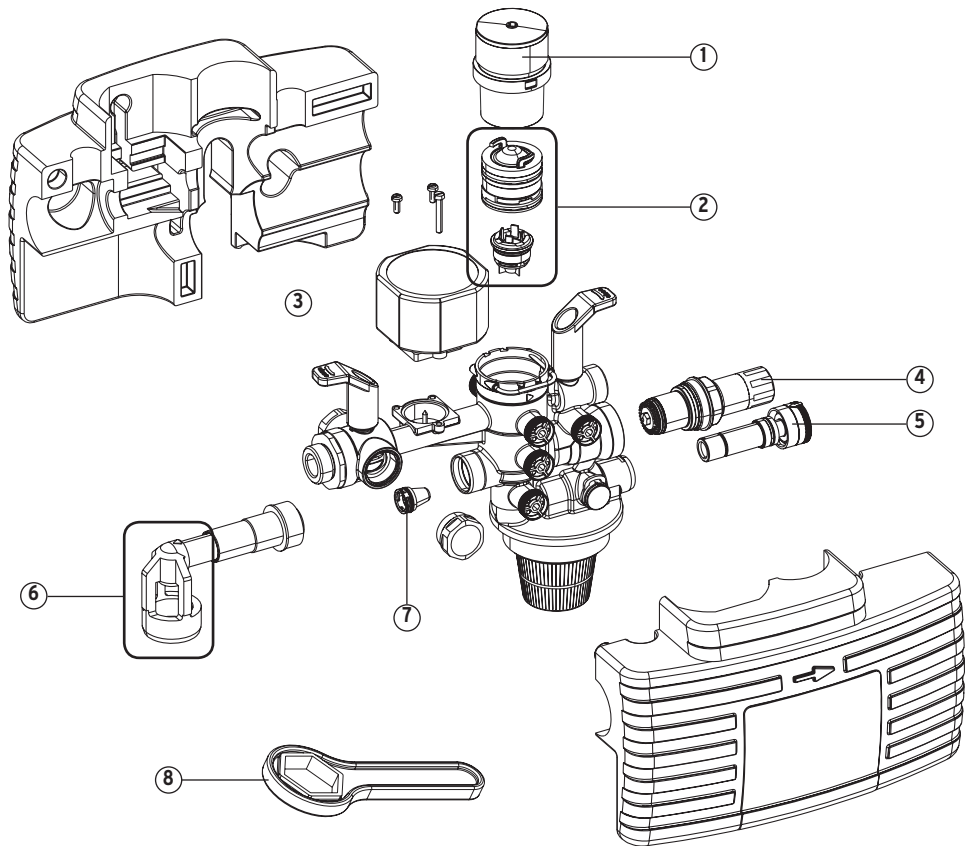


Nominal size		DN 20
	A	R 1/2"
Dimensions	L (mm)	317
	T (mm)	91 - 113,5 (adjustable)
	t (mm)	139
	H (mm)	326 (2,5 Litres), 424 (4 Litres), 544 (7 Litres), 983 (14 Litres), 992 (30 Litres)

3228 Connecting Centre All-in-one

Components / Order numbers

- ① **Double pressure gauge**
3228.00.902
 - ② **BA-cartridge**
6600.00.974
 - ③ **Digital capacity control**
3200.15.906
 - ④ **Pressure reducing cartridge**
0315.00.900
 - ⑤ **Blending valve**
3200.15.914
 - ⑥ **Tundish**
3228.00.901
 - ⑦ **Strainer**
0330.20.908
 - ⑧ **Service key**
4807.00.906
- Exchange tool (no pict)**
6600.00.970



- Cartridge water softener (already filled)**
- 2,5 Litres 3200.00.021
 - 4 Litres 3200.00.001
 - 7 Litres 3200.00.003
 - 14 Litres 3200.00.004
 - 30 Litres 3200.00.018

- Cartridge demineralization (already filled)**
- 2,5 Litres 3200.00.022
 - 4 Litres 3200.00.011
 - 7 Litres 3200.00.013
 - 14 Litres 3200.00.014
 - 30 Litres 3200.00.017

- Cartridge pH-stabilization (already filled)**
- 2,5 Litres 3200.00.023
 - 4 Litres 3200.00.015
 - 7 Litres 3200.00.005
 - 14 Litres 3200.00.006
 - 30 Litres 3200.00.016

- Exchange-granules for water softener (no pict.)**
- 2,5 Litres 3200.00.942
 - 4 Litres 3200.00.904
 - 7 Litres 3200.00.906
 - 10 Litres 3200.00.937
 - 14 Litres = 2 x 7 Litres
 - 30 Litres = 3 x 10 Litres

- Exchange-granules for demineralization (no pict.)**
- 2,5 Litres 3200.00.943
 - 4 Litres 3200.00.914
 - 7 Litres 3200.00.916
 - 10 Litres 3200.00.938
 - 14 Litres = 2 x 7 Litres
 - 30 Litres = 3 x 10 Litres

Conductivity meter
from 09/2015 (no pict.)
3200.00.928

- Exchange-granules for pH-stabilization (no pict.)**
- 2,5 Litres 3200.00.944
 - 4 Litres 3200.00.927
 - 7 Litres 3200.00.926
 - 10 Litres 3200.00.939
 - 14 Litres = 2 x 7 Litres
 - 30 Litres = 3 x 10 Litres

