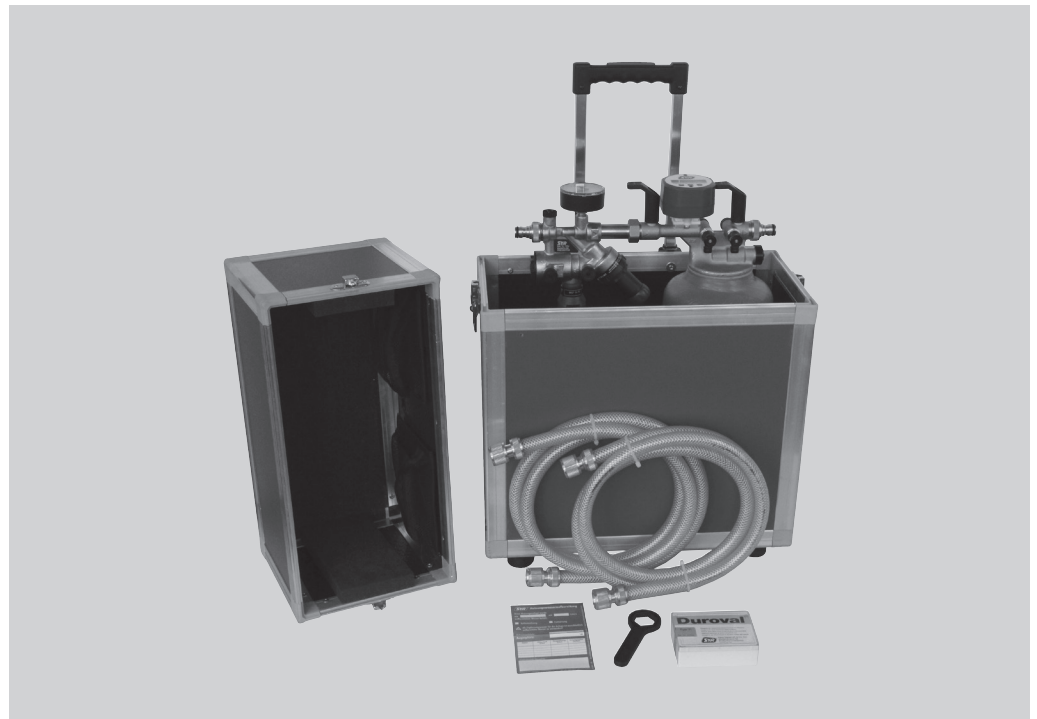


Mobile filling device 3200



6

Field of application

SYR's filling device 3200 is designed for the mobile filling of heating systems with softened, fully demineralized water or water for pH-stabilization

(VDI 2035/I). It includes all components required for a standard-conforming filling process.

Design

The mobile filling device 3200 from SYR includes a Euro Filling-Combi, type BA with an integrated BA backflow preventer and a pressure reducing valve, a Connection Center 3200 from SYR with a digital capacity control, a 4 Litre cartridge for soft, fully demineralized water or water for pH-stabilization,

an exchange granulate (only with the mobile filling device for full demineralization), two connection hoses (2m), a water hardness measuring device and a service report. The Connection Center can be converted from water softening to full demineralization.

3200 Mobile filling device

Materials

The functional parts are made of high-quality synthetic material. The body and internal synthetic parts are made of shock-resistant thermoplast and the rubber parts of ageing-resistant elastomer. All

remaining functional parts are made of a dezincification-resistant brass alloy and stainless steel. The materials used are state-of-the-art.

Installation

Install the BA Euro Filling-Combi and the Connection Center 3200 upstream of the heating system by means of the enclosed hoses under consider-

ation of the correct direction of flow. Screw the respective cartridges from below to the Connection Center.

Use only potable water when filling the system.

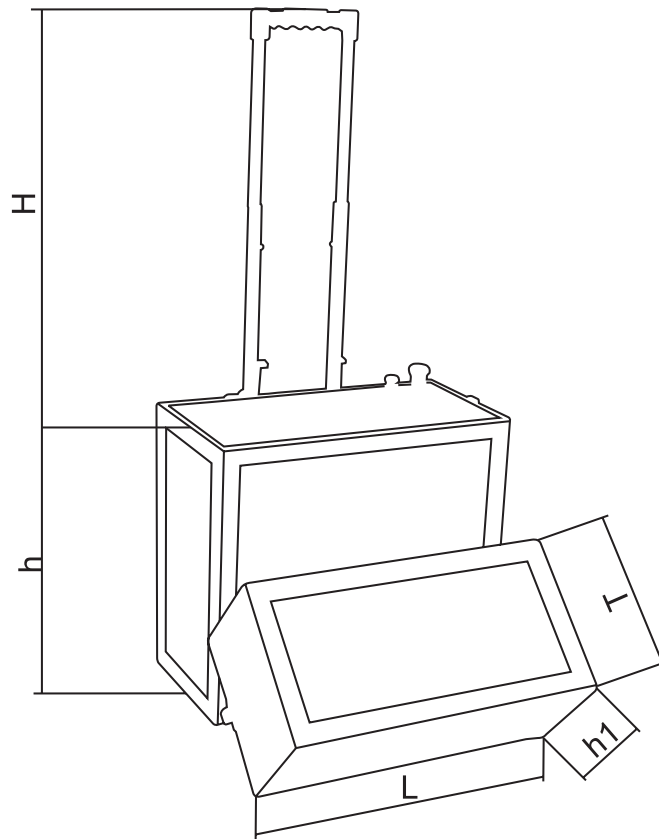
Technical specifications

Operating pressure:	max. 6 bar
Operating temperature:	max. 30 °C (Connection Center) max. 30 °C (inlet) - BA Euro Filling-Combi max. 65 °C (outlet) - BA Euro Filling-Combi
Mounting position:	Main axis: vertical
Medium:	Potable water
Outlet pressure:	1.5 - 5 bar
Flow rate:	0.5 m ³ /h
Serial number:	3200 ...

Maintenance

The Connection Center produces an automatic signal when a cartridge is used up, in which case the latter only has to be refilled. As the functional parts are designed as cartridge system, the pressure reducer cartridge can be serviced and repaired without having to drain the system.

Service the pressure reducing valve on a regular basis. The BA backflow preventer has to be serviced once per year. As each pressure zone is equipped with connections for ball valves, use the relevant accessories (maintenance kit art. 6600.00.000) to make the functional test of the device.



Nominal size
Dimensions

H (mm)	390
h (mm)	400
h1 (mm)	170
L (mm)	450
T (mm)	230
(Kg)	16

3200 Mobile filling device

Components / Order numbers

①
Trolley case

②
Connection Center 3200

③
Euro Filling-Combi type BA 6628
6628.00.919

Cartridge water softener
(already filled)
4 Litres 3200.00.001

Cartridge demineralization
(already filled)
4 Litres 3200.00.011

Cartridge pH-stabilization
(already filled)
4 Litres 3200.00.015

Exchange-granules for water
softener (no picture)
4 Litres 3200.00.904

Exchange-granules for demineralization
(no picture)
4 Litres 3200.00.914

Exchange-granules for pH-stabilization
(no picture)
4 Litres 3200.00.927

