

Safe-T Combi 2421

Leakage detection module



Field of application

The SYR Safe-T Combi 2421 offers a leakage detection system according to VP 638 that permanently supervises the installation as soon as it is activated. The Safe-T Combi can be mounted on any flange of the SYR flange system up to DN 32. The Ratio Vario DFR is a compact filter of the SYR

filter programme. It is designed as filtering valve for potable water installations. The integrated pressure reducing valve protects against excess supply pressure. Its very compact construction form also allows to protect single appliances (dish washers, water heaters, etc..).

Design

The Safe-T's monitoring electronic system is able to detect leakage. When the preprogrammed values are exceeded, the Safe-T isolates the whole installation. It also offers a special vacation function ensuring an intensified supervision. All important function data can be individually set with

the management and diagnosis system. The integral pressure reducing valve of the back-wash filter protects the installation against over-pressure and water hammers. The cascade-shaped filter insert is made of stainless steel.

Materials

The body is made of a high-quality low-lead brass alloy. The rubber parts are made of ageing-resistant elastomer. Non-rusting steel is used for all other functional parts. The filter cap is made of shock-resistant synthetic material and the filter

insert of stainless steel. The ring seals are made of asbestos-free fibre. All materials used are state-of-the-art. All synthetic parts getting into contact with water are approved by the German Public Health Office (KTW).

Installation

To install the Safe-T Combi, use a flange DN 20 - DN 32 from the extensive Drufi flange program. Mount

it either centrally downstream of the water metering device or locally to protect a single line. T

Thoroughly flush the pipe prior to installation. Install the required connection flange under consideration of the direction of flow either in vertical or horizontal pipes. The main axis of the filter has

to be in vertical position. Install the Safe-T Combi without applying stresses. All electric connections are pre-installed in factory.

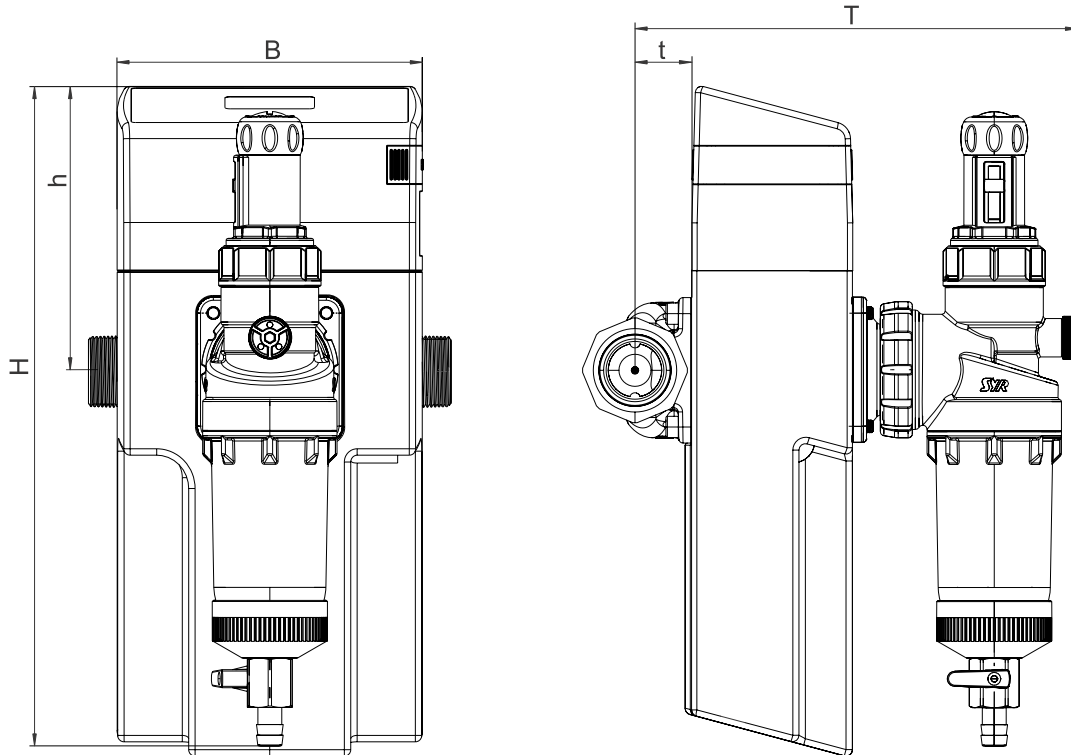
Technical specifications

| | |
|--|--|
| Operating temperature: | max. 30 °C |
| Ambient temperature: | 10 - 60 °C |
| Nominal pressure: | 16 bar |
| Mounting position: | main axis vertical |
| Medium: | Potable water |
| Type of protection: | IP 21 |
| Batteries: | 4 x LR06 |
| Voltage, power pack: | 9V DC |
| Load, external potential free contact: | IN 2: minimum 12V / 20 mA Out: maximum 24V / 2A |
| Start-up threshold: | 5 Liter/h |
| Flow rate: | DN 20: 2.0 m ³ /h at 0,2 bar Δp DN 25: 2,3 m ³ /h at 0,2 bar Δp DN 32: 2,5 m ³ /h at 0,2 bar Δp DN 20: 3,5 m ³ /h at 0,5 bar Δp DN 25: 3,8 m ³ /h at 0,5 bar Δp DN 32: 4,0 m ³ /h at 0,5 bar Δp DN 20: 5,2 m ³ /h at 1,0 bar Δp DN 25: 5,7 m ³ /h at 1,0 bar Δp DN 32: 6,0 m ³ /h at 1,0 bar Δp |
| Werks-Nr.: | 2421.00.005 |

Maintenance

The Safe-T's design requires no maintenance for correct operation. The filter should be backwashed every 6 months at the latest. Servicing the Ratio Vario DFR only requires a service-key. To backwash the filter, open

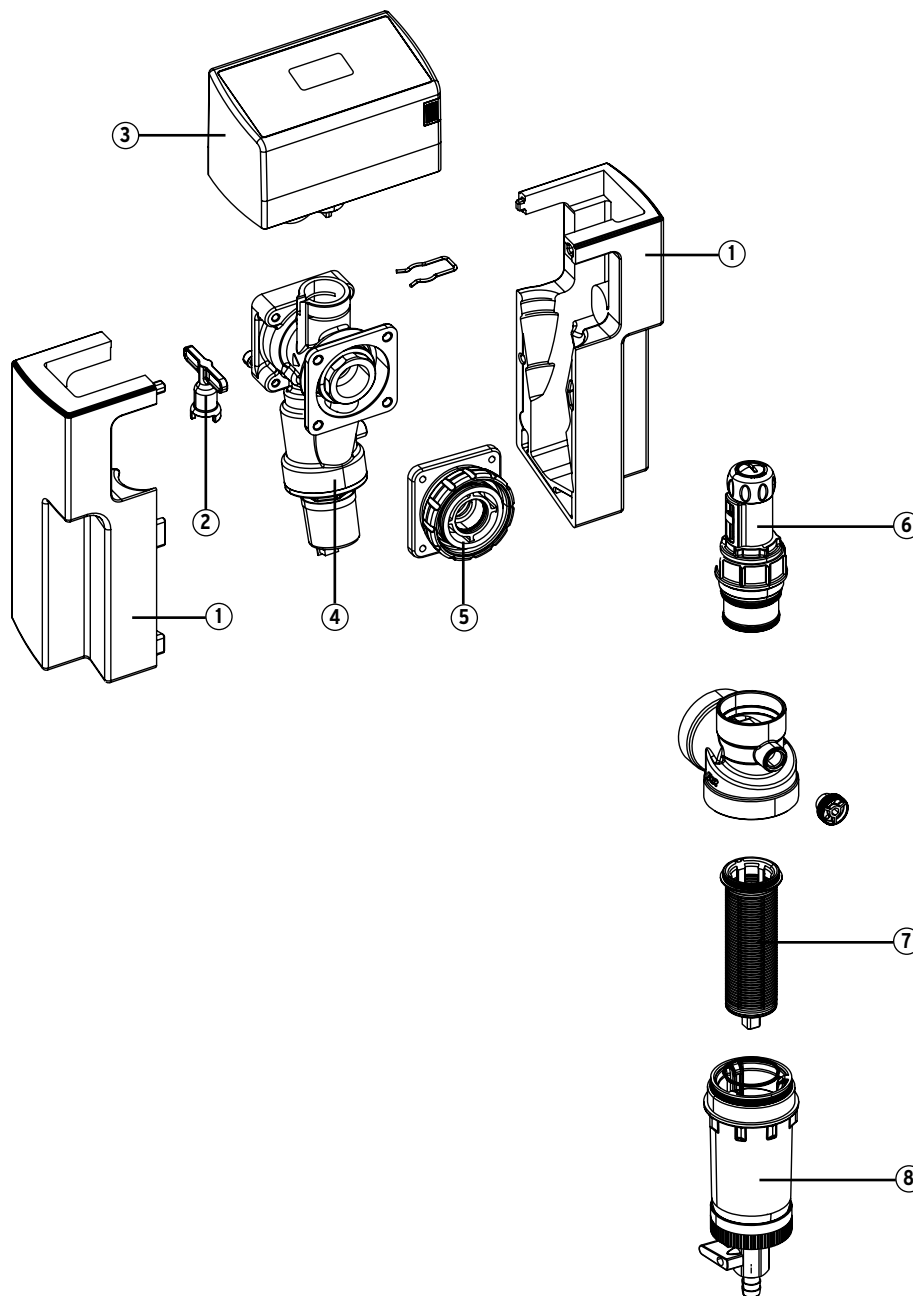
the ball valve and turn the lower part of the filter 2 to 3 times to the left or to right. Close the ball valve again. Even during backwashing, the device continues to supply filtered water into the potable water system.



| Nominal size | DN 20 - DN 32 | |
|--------------|---------------|-------|
| Dimension | T (mm) | 207 |
| | t (mm) | 26,5 |
| | T1 (mm) | 101,5 |
| | t1 (mm) | 78 |
| | H (mm) | 314 |
| | h (mm) | 133,5 |
| | B (mm) | 143 |

Components / Order numbers

- ① Insulation
- ② Emergency key
- ③ Controller
- ④ Body
- ⑤ Adapter
2320.00.901
- ⑥ Pressure reducing cartridge
5315.00.900
- ⑦ Filter
5315.00.903
- ⑦ Filter cup
5315.00.904



Accessories

- Drufi universal flange**
- DN 20 2315.20.005
 - DN 25 2315.25.005
 - DN 32 2315.32.005

- Power supply adapter
(no pict.)**
- 1100.00.900

- Floor sensor**
- 2421.00.021

- Humidity sensor**
- 2421.00.022