

Fully automatic filling system for heating installations 3200

Filling pump for heating inhibitors



6

Anwendungsbereich

Fully automatic filling according to DIN EN 1717 heating installations with softened, fully demineralized water or water for pH-stabilization (VDI 2035/I) and DIN EN 1717. The fully automatic filling automatically interrupts the filling process when

the capacity of the cartridge is exhausted. That ensures the permanent filling with treated water. A leakage protection prevents uncontrolled filling of the heating system.

Ausführung

The fully automatic filling includes a pre-filter, a conductivity sensor, digital capacity-control, a leakage modul, blending valve and backflow preventer BA, pressure reducer and pressure sensor. The fully automatic filling can be used for softened,

fully demineralized water or water for pH-stabilization depending of the choice of the cartridge. The cartridges are refillable and available in the sizes 2,5 4, 7, 14 and 30 Litres.

3200 Fully automatic filling

Materials

The functional parts are made of high-quality synthetic material. The body and internal synthetic parts are made of shock-resistant thermoplast and the rubber parts of ageing-resistant elastomer. All

remaining functional parts are made of a dezincification-resistant brass alloy and stainless steel. The materials used are state-of-the-art.

Installation

Install the connecting center before the heating installation. Do not install the device in rooms liable to humidity or frost. Mount the cartridges

from below to the connecting center. The 14 Litre-cartridges contain a pedestal (included in delivery).

Install the connecting centre horizontally in the pipe under consideration of the direction of flow

and without applying stresses.

Technical specifications

Operating pressure:

Pre-Filter: 16 bar

Backflow preventer BA: 10 bar

Connecting Center: 6 bar

Operating temperature:

Pre-Filter: 30 °C

Backflow preventer BA: 30 °C (inlet)

65 °C (outlet)

Connecting Center: 30 °C

Outlet pressure

1,5 - 5 bar (factory set to 3 bar)

Medium:

Potable water

Voltage power supply unit (optional):

9V DC

Batteries:

4 x LR06

Load external

IN: min. 12V / 20 mA

potential-free contact

OUT: max. 24V / 2A

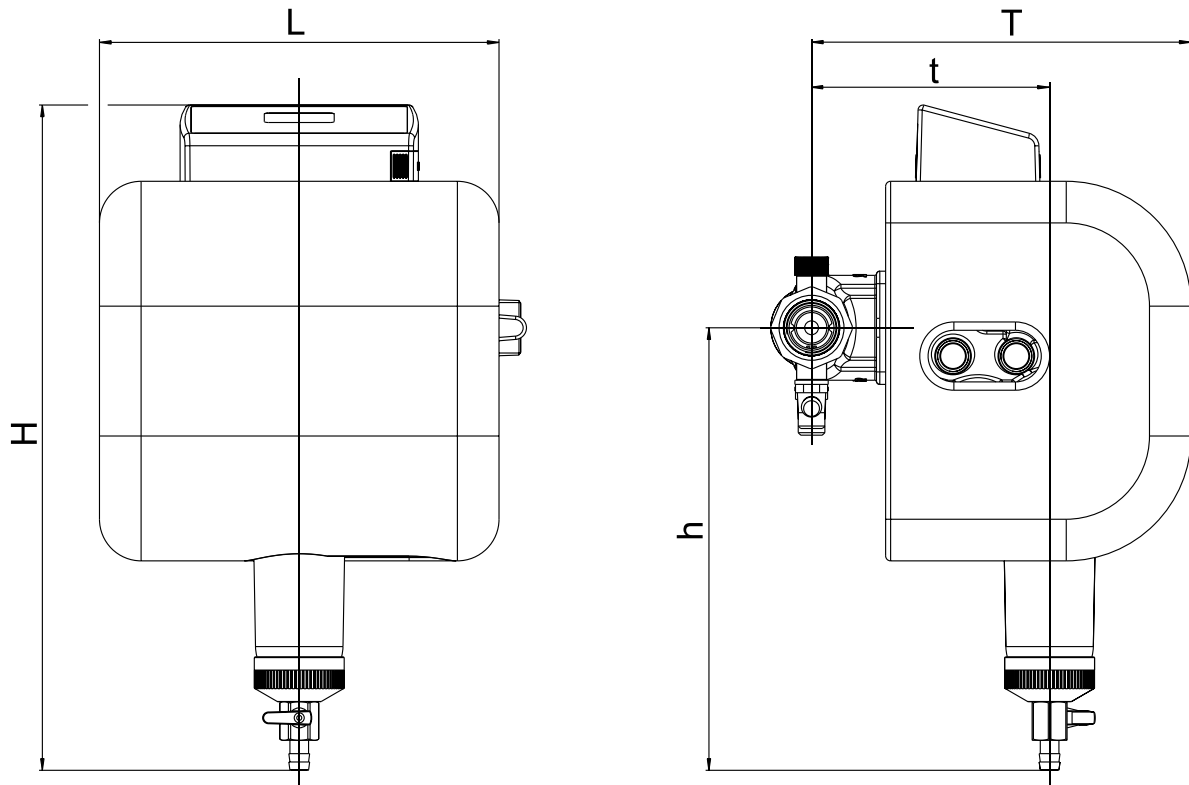
Serial-No:

3200.20.030

Maintenance

The fully automatic filling reports a exhausted cartridge it only needs to be refilled. the maintenance of the pressure reducer is possible without draining the heating installation. The filter needs to be serviced every 6 months or when the flow rate is reduced due to increased pressure loss according

to DIN EN 806,5. The BA backflow preventer has to be serviced once per year. As each pressure zone is equipped with connections for ball valves, use the relevant accessories (maintenance kit art. 6600.00.000) to make the functional test of the device.



6

Nominal size

Dimensions

L (mm)	240
H (mm)	400
h (mm)	266
T (mm)	228
t (mm)	143

3200 Fully automatic filling

Components / Order numbers

① **Control unit**

② **Covers**

③ **HWS-Flange**

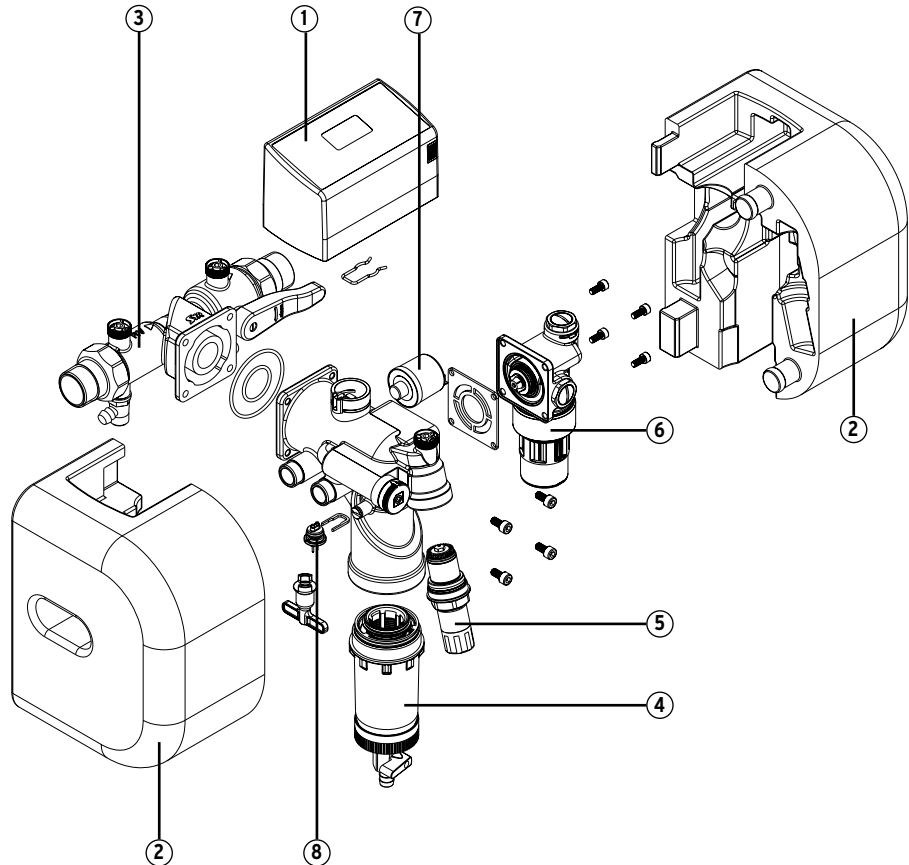
④ **Filter-bowl**
3200.00.929

⑤ **Pressure reducing valve**
6628.00.904

⑥ **Backflow preventer cartridge**
6625.00.900

⑦ **Pressure sensor**
3200.00.930

⑧ **Conductivity measurement cartridge**
3200.00.928



Cartridge water softener (already filled)

- 2,5 Litres 3200.00.021
- 4 Litres 3200.00.001
- 7 Litres 3200.00.003
- 14 Litres 3200.00.004
- 30 Litres 3200.00.018

Cartridge demineralization (already filled)

- 2,5 Litres 3200.00.022
- 4 Litres 3200.00.011
- 7 Litres 3200.00.013
- 14 Litres 3200.00.014
- 30 Litres 3200.00.017

Cartridge pH-stabilization (already filled)

- 2,5 Litres 3200.00.023
- 4 Litres 3200.00.015
- 7 Litres 3200.00.005
- 14 Litres 3200.00.006
- 30 Litres 3200.00.016

Exchange-granules for water softener (no pict.)

- 2,5 Litres 3200.00.942
- 4 Litres 3200.00.904
- 7 Litres 3200.00.906
- 10 Litres 3200.00.937
- 14 Litres = 2 x 7 Litres
- 30 Litres = 3 x 10 Litres

Exchange-granules for Demineralization (no pict.)

- 2,5 Litres 3200.00.943
- 4 Litres 3200.00.914
- 7 Litres 3200.00.916
- 10 Litres 3200.00.938
- 14 Litres = 2 x 7 Litres
- 30 Litres = 3 x 10 Litres

Exchange-granules for pH-stabilization (no pict.)

- 2,5 Litres 3200.00.944
- 4 Litres 3200.00.927
- 7 Litres 3200.00.926
- 10 Litres 3200.00.939
- 14 Litres = 2 x 7 Litres
- 30 Litres = 3 x 10 Litres

