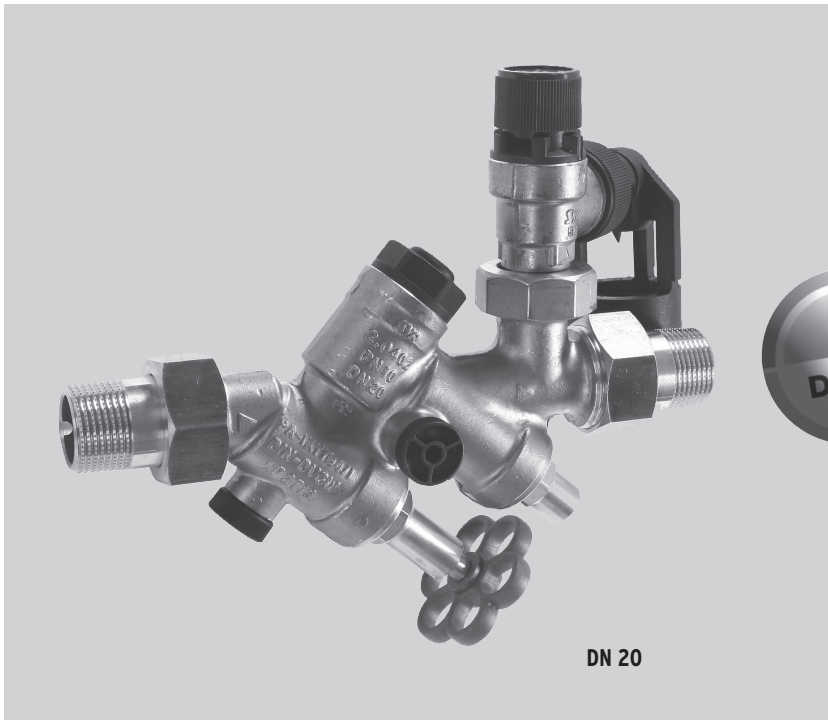


SYRobloc-Safety Group 24

for water heaters, with wear-resistant stainless steel seat



5

Field of application

The SYRobloc-Safety Group type 24 optimally protects pressurised water heaters against excess pressure according to international standards. It also fulfils the highest European acoustic requirements. It includes all necessary components in a

compact form. The pressure relief valve protects the water heater located downstream; the check valve prevents the backflow of heated drinking water.

Design

The SYRobloc Safety Group type 24 is composed of a shut-off valve, a check valve with a test port (DN 20 model supplied with a 2nd shut-off valve), a manometer connection, a diaphragm pressure relief valve as well as a drain tundish with a pipe interrupter that prevents back-siphonage of drain

water. The diaphragm pressure relief valve with a wear-resistant stainless steel seat is very simple to exchange; a screw connection allows to rotate it by 360° in order to adapt to various installation conditions.

Materials

All materials used for the SYRobloc-Safety Group type 24 fulfil the highest requirements of international standards. All synthetic components getting in contact with water are approved by the German Public Health Office (KTW). The corrosion resistance in particular is guaranteed for all materials. The

body, internal parts and unions are made of a high-quality low-lead brass alloy. The spring cap of the pressure relief valve is made of glass fibre reinforced synthetic material; the spring of the pressure relief valve is made of spring steel wire and the spring of the check valve of stainless steel.

Installation

The opening pressure of the pressure relief valve shall not exceed the admissible operating pressure of the water heater. The dimensioning of the safety group depends on the volume and heating capacity of the water heater (ref. table). SYRobloc 24 is used

when the supply pressure does not exceed 80% of the opening pressure of the pressure relief valve. If the supply pressure is higher, install SYRobloc type 25 equipped with a pressure reducing valve.

Always install the SYRobloc-Safety Group upstream of the water heater under consideration of the direction of flow; it has to be fitted without applying stresses in the cold water pipe that has been thoroughly flushed beforehand. The particular design of the group allows to install it in angle or in-line way in horizontal and - provided the direction of flow runs upwards - also in vertical pipes. There shall be no shut-off valves, narrowings or strainers between the pressure relief valve and the water heater. Install the safety group above the

water heater to ensure that the group is readily accessible in order to facilitate servicing and maintenance works. When the safety group is installed as mentioned above, the pressure relief valve can be easily exchanged without having to drain the water heater beforehand. When particular installation conditions do not allow fitting the group that way, use the soldering connection set (accessories) to extend the connection pipe to the pressure relief valve.

Technical data

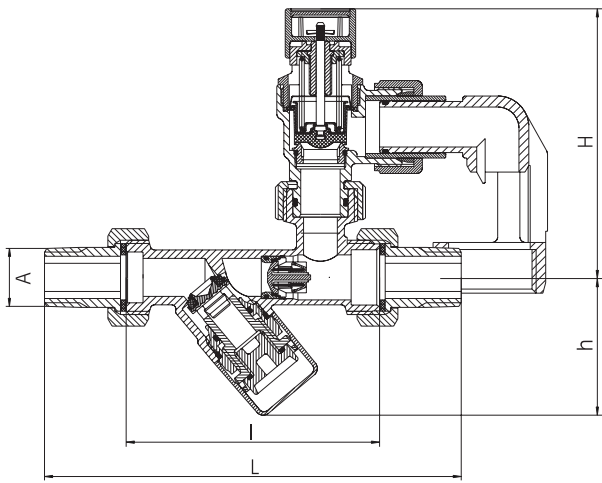
Inlet pressure:	max. 80 % of opening point of pressure relief valve
Service temperature:	max. 30 °C inlet temperature
Fluid:	potable water
Opening pressure:	6, 8 or 10 bar possible with enclosed exchange cartridges
Mounting position:	any
Flow rate:	DN 15: 2.0 m³/h bei Δp 1.0 bar DN 20: 4.0 m³/h bei Δp 1.0 bar
ABP-Number:	PA-IX 1794/I
Components approval number:	TÜV-SV-15-545-DN-W-p
DVGW-Number:	DVGW NW-6311AP2713
Serial number:	0024...

Maintenance

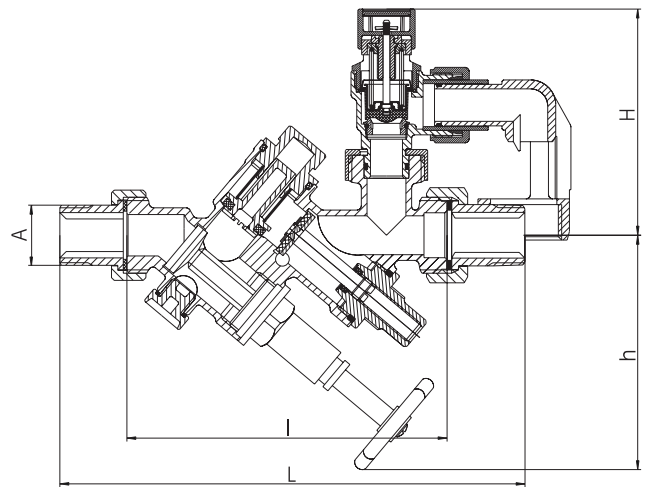
It is recommended for a durable function of the SYRobloc Safety Group to carry out maintenance works on a regular basis. The seat and sealing of the pressure relief valve can be cleaned without altering the pressure setting. The exchange of the stainless steel seat is very simple. The nominal

size DN 20 allows the exchange of the check valve without having to drain the water heater. The exchangeable pressure relief valve 2115.1 can be replaced without disassembling the whole group from the pipe.





DN 15



DN 20

5

Nominal size		DN 15	DN 20
		G 1/2"	G 3/4"
	A	1/2" 3/4"	3/4" 1"
Dimensions	L (mm)	147 160	205 230
	l (mm)	90	140
	H (mm)	90	100
	h (mm)	50	115
max. potable water heater volume	(l)	200	1000
Heating capacity	(Kw)	max. 75	max. 150

Accessories

Manometer: Type 11
 Soldering connection set:
 DN 15: 0024.15.905
 DN 20: 0024.20.906

Components / Order numbers

① Exchangeable pressure relief valve 2115.1

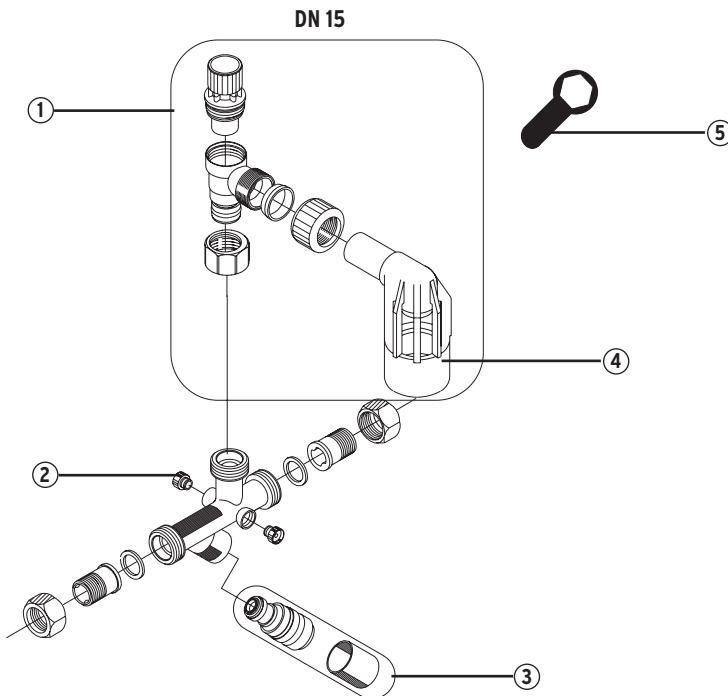
2115.15.018 6 bar
2115.15.019 8 bar
2115.15.020 10 bar

② Manometer plug 0828.08.000

③ Shutt-off valve 0024.15.900

④ Tundish 0214.00.902

⑤ Assembly key for exchangeable head part 4807.00.906 max. torque 15Nm



① Exchangeable pressure relief valve 2115.1

2115.20.015 6 bar
2115.20.016 8 bar
2115.20.017 10 bar

② Manometer plug 0828.08.000

③ 1st shut-off valve 0024.20.903

④ 2nd shut-off valve 0024.20.902

⑤ Tundish 0214.00.902

⑥ Check valve 0024.20.901

⑦ Assembly key for exchangeable head part 4807.00.906 max. torque 15 Nm

