

**Instructions for use**  
**Anti legionella valve 7500**

# Contents

Description.....	3
Installation Guidance.....	3
Maintenance.....	5
Specification and Dimensions .....	7

## Description

The Reliance anti legionella valve is designed to be connected to a Reliance (Aquasystems) potable water expansion vessel with a  $\frac{3}{4}$ " connection. It is designed to divert a proportion of the water that is flowing through a system into the vessel to cause turbulence and encourage an exchange of water within it.

## Installation

Before installing the anti legionella valve ensure that the water system has been flushed and is free from debris and that the system pressures and temperatures are within the working parameters of the valve.

To install the anti legionella valve onto a vessel follow these steps.

1. First insert the paddle retaining tube into the vessel connection as shown. This is the small plastic tube with a cut down the side. To insert it you squeeze the tube together and push it into the vessel connection (Fig. 1) and then let it spring back into place.

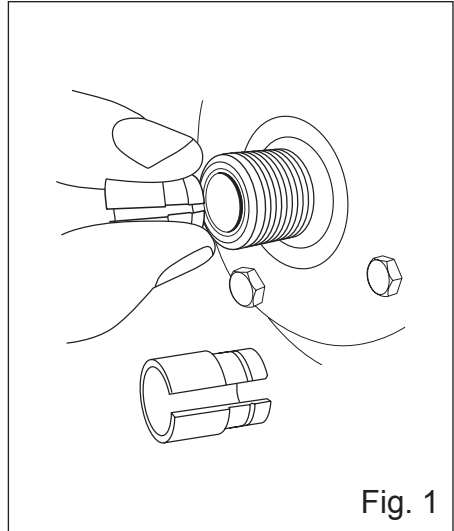


Fig. 1

2. Taking care not to damage the paddle or the paddle retaining clip, screw the anti legionella valve onto the expansion vessel and tighten up with a spanner. Note the valve includes a rubber seat so extra washers and PTFE tape are not needed.

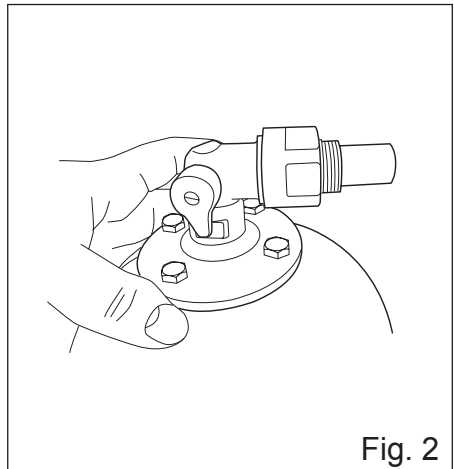


Fig. 2

3. Connect the  $\frac{3}{4}$ " FBSP tee piece onto the anti legionella valve and tighten with a spanner, the connection is sealed by an oring so extra washers and PTFE tape are not needed. The tee piece remains rotatable through  $360^\circ$  when tightened (Fig. 3).

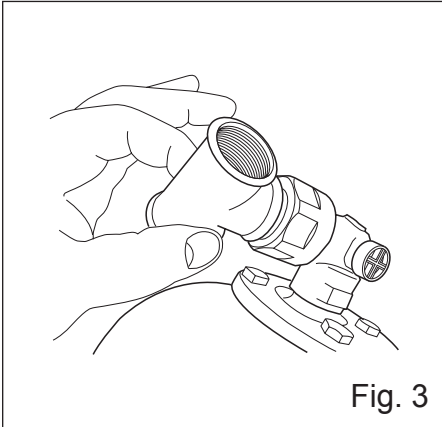


Fig. 3

4. Mount the vessel vertically with the connections at the bottom using suitable fixings and a strap type bracket (Fig. 4).

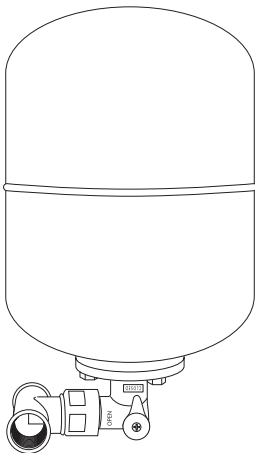


Fig. 4

**Note: Expansion vessels should always be mounted in vertically with the connections at the bottom to avoid the possibility of sediment and debris being deposited inside the membrane and providing a possible breeding ground for bacteria such as Legionella.**

5. Connect the water supply so that water from the supply enters one end of the tee and the water that feeds the system exits from the other side of the tee (Fig. 5).

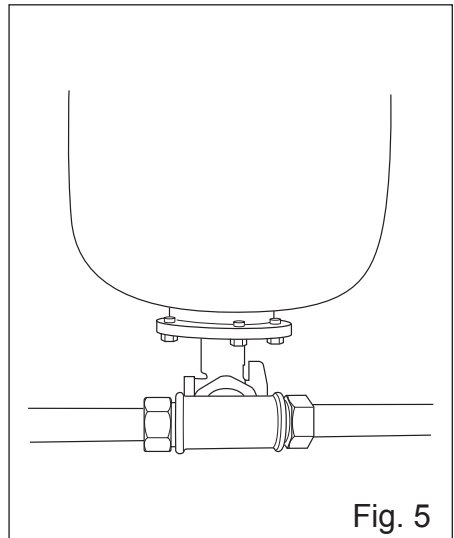


Fig. 5

6. Ensure that the isolating valve is in the open position then turn on the water supply and commission the system (Fig. 6).

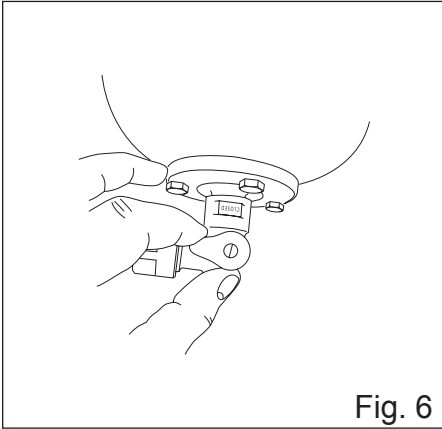


Fig. 6

## Maintenance

If for some reason it is necessary to remove the expansion vessel for service or replacement the anti legionella valve helps to make this quick and easy.

Isolate the expansion vessel from the system using the integral isolating valve (Fig. 7)

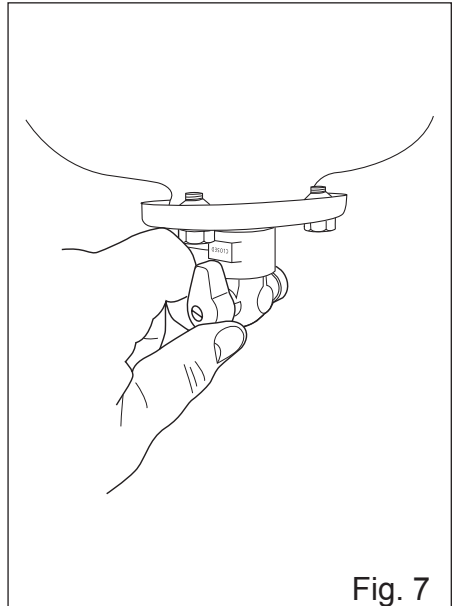
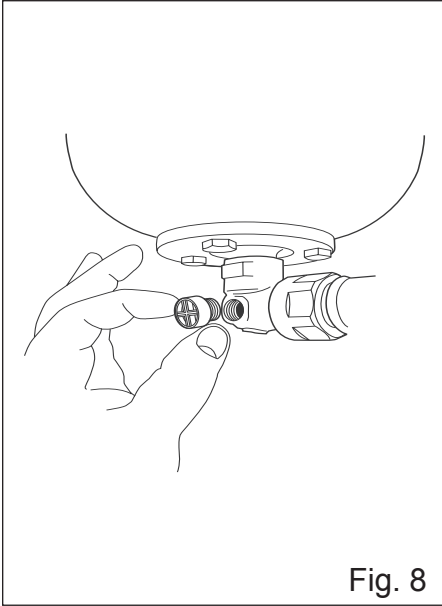


Fig. 7

Making sure that you have a suitable collection vessel to hand remove the plastic test plug (Fig. 8) from the port directly opposite the isolating valve to drain the residual water from the vessel.

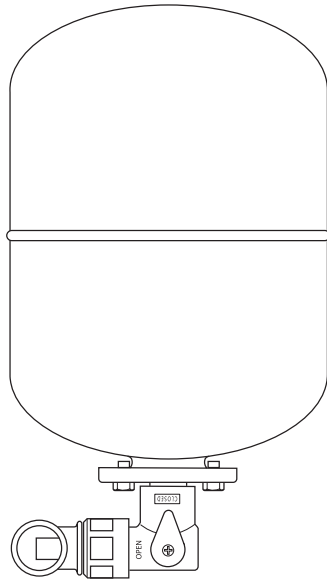
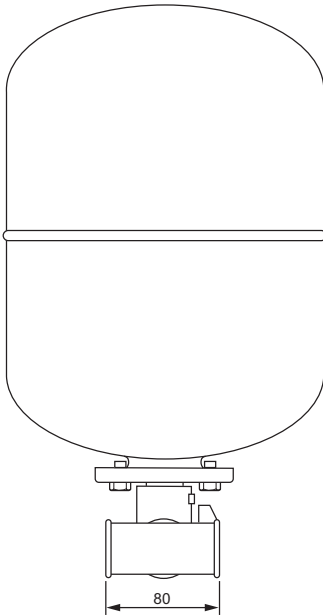


After draining replace the test plug, service or replace the vessel and open up the isolating valve to return the vessel to service.

# Specification

Nominal size	DN20
Max. inlet temp.	30°C
Medium	Potable Water

## Dimensions (Vessel Supplied Separately)



Dimensions in mm unless otherwise stated.

