

Ratio VARIO FR 5315

Manual Backwash Filter

2



Field of application

The Ratio Vario FR is a compact filter of the SYR filter programme. It is designed as filtering valve for potable water installations. Its very compact

construction form also allows to protect single appliances (dish washers, water heaters, etc..).

Design

The flange for the manual backwash filter Ratio Vario FR is available in the connection sizes DN 15 -

DN 25. The cascade-shaped filter insert is made of stainless steel.

Materials

The filter cap is made of shock-resistant synthetic material and the filter insert of stainless steel. The ring seals are made of asbestos-free fibre. All materials used are state-of-the-art. The synthetic and

elastomeric parts getting into contact with water designed for human consumption are approved by the German Public Health Office (KTW).

Installation

It is highly recommended to install filters to protect potable water installations against corrosion. When used at the domestic point of entry, the Ratio Vario

FR filter should be installed directly behind the water metering device and be readily accessible.

Thoroughly flush the pipe prior to installation. Use filtered water from the first onset of the potable water installation. The main axis of the filter has to be in vertical position. Install the flange and

the filter under consideration of the direction of flow (arrow on the body) in the pipework without applying stresses.

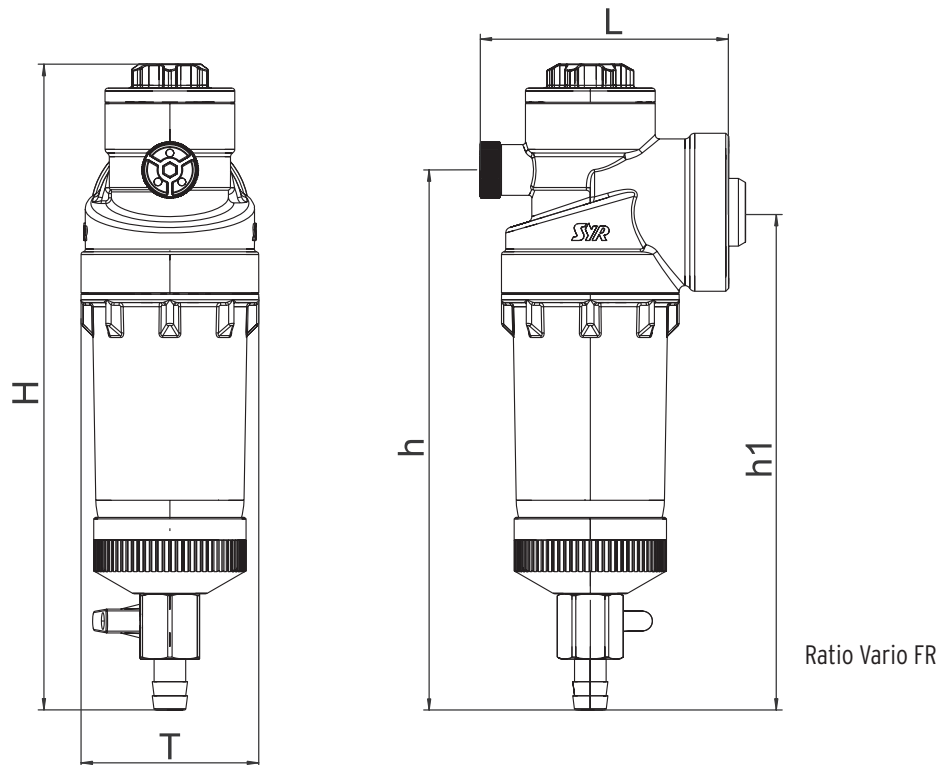
Technical specifications

Operating pressure:	min. 2 bar, max. 16 bar
Operating temperature:	max. 80 °C
Mounting position:	Main axis vertical
Fluid:	potable water
Mesh width:	90 µm
Flow rate:	DN 15: 2,0 m ³ /h at 0,2 bar Δp DN 20: 2,3 m ³ /h at 0,2 bar Δp DN 25: 3,0 m ³ /h at 0,2 bar Δp DN 15: 3,4 m ³ /h at 0,5 bar Δp DN 20: 4,4 m ³ /h at 0,5 bar Δp DN 25: 5,2 m ³ /h at 0,5 bar Δp
Serial number:	5315.00.001

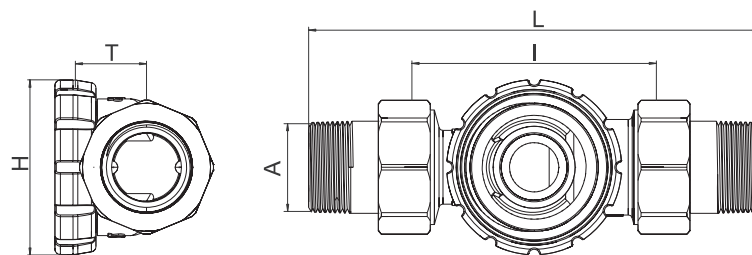
Maintenance

The filter should be backwashed every two months at the latest. Servicing the Ratio Vario FR only requires a service-key. To backwash the filter, open the ball valve and turn the lower part of the filter

2 to 3 times to the left or to right. Close the ball valve again. Even during backwashing, the device continues to supply filtered water into the potable water system.



Ratio Vario FR



Ratio Vario Flange

Ratio Vario FR

Nominal size		
Dimensions in mm	H (mm)	230
	h (mm)	191
	h1 (mm)	176
	L (mm)	88
	T (mm)	63

Ratio Vario Flange

Nominal size		DN 15	DN 20	DN 25
	A	R 1/2"	R 3/4"	R 1"
Dimensions in mm	L (mm)	160	157	165
	l (mm)	95	95	95
	H (mm)	64	64	64
	T (mm)	23	23	23



Components / Order numbers

①

Plug
5315.00.901

②

Gauge-Plug
0828.08.000

③

Filter
5315.00.903

④

Filter cap complete
5315.00.904

⑤

Service key
5315.00.902

no fig.

Flange

DN 15	5315.15.008
DN 20	5315.20.008
DN 25	5315.25.008

