

RSA 2316

Automatic backwash system for Drufi+, Drufi+ max, Duo and Flangefilter 6380

2



Field of application

The RSA is a fully automatic electronic backwash system for the backwashable Drufi+, Drufi+ max-models, domestic water units from 2011, domestic water units max from 2013 and Flangefilter 6380. It is very easy to operate and fulfils the highest

safety standards.

The Drufi+ DFR / FR, Drufi+ max DFR / FR, the domestic water units and the Flangefilter 6380 can be easily retrofitted with the RSA, which turns them into fully automatic backwash filters.

Design

The RSA allows individual adjustment of the interval time of the backwash operation in a range between one hour and 52 weeks according to the respective water quality. No tools are required for the assembly. It is exchanged against the backwash

knob. The RSA is delivered as battery-powered system off the line. A mains plug (2316.00.905) is available for external power supply about 230V / 50 Hz.

Materials

The body is made of robust ABS synthetic material.

Installation

A drain connection DN 50 is required

The RSA is mounted instead of the backwash knob

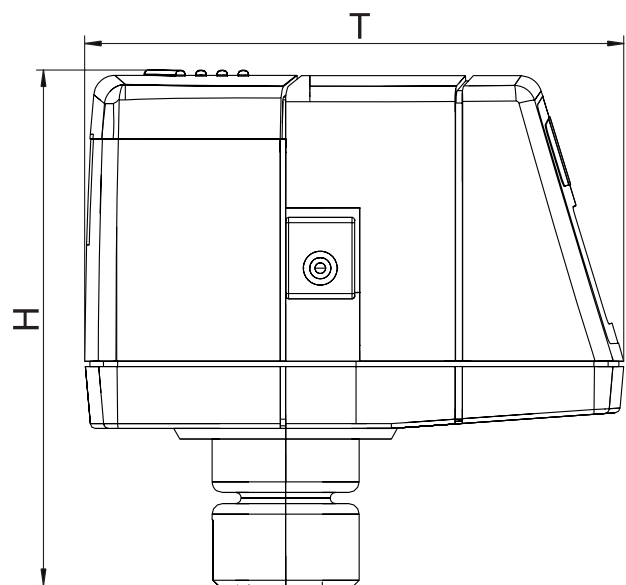
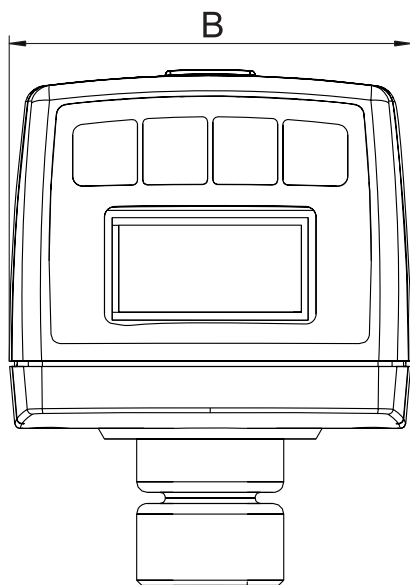
Technical data

Power supply:	230V / 50Hz
Type of protection:	IP 21
Ambient temperature:	10 - 60°C
Batteries:	4 x LR 06-AA
Capacity:	max. 2,5 W
Serial number:	2316.00.081

Maintenance

In normal operation the display is in stand-by-mode in order to save energy. Every time a key is pressed, the display is switched on and the basic menu appears: all functions can be controlled and various parameters can be changed. The RSA requires

no special maintenance, except from occasional battery replacement. When the battery capacity is too low, the SYRTronic triggers no backwash operation.

**Dimensions**

H (mm)	69
B (mm)	76
T (mm)	102

Components / Order numbers

①
Control unit

no picture
Power cable
2316.00.905

